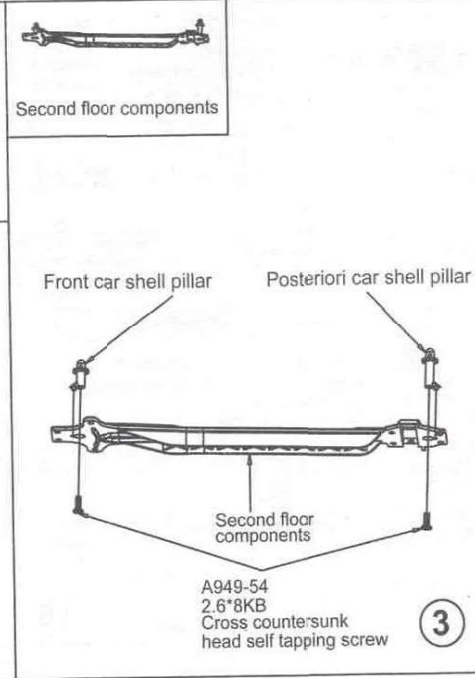
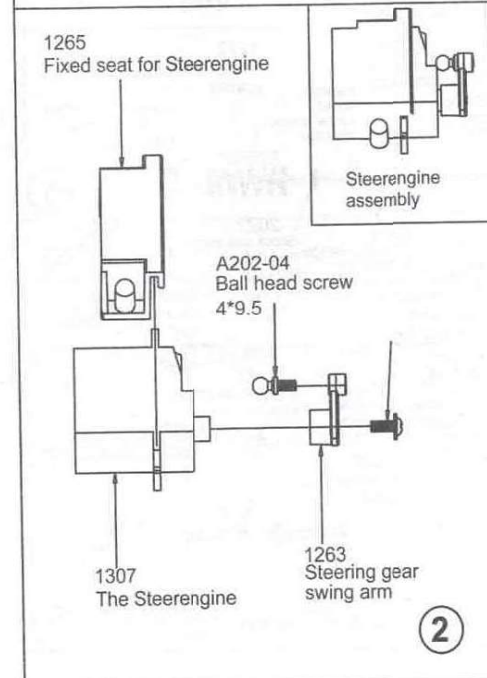
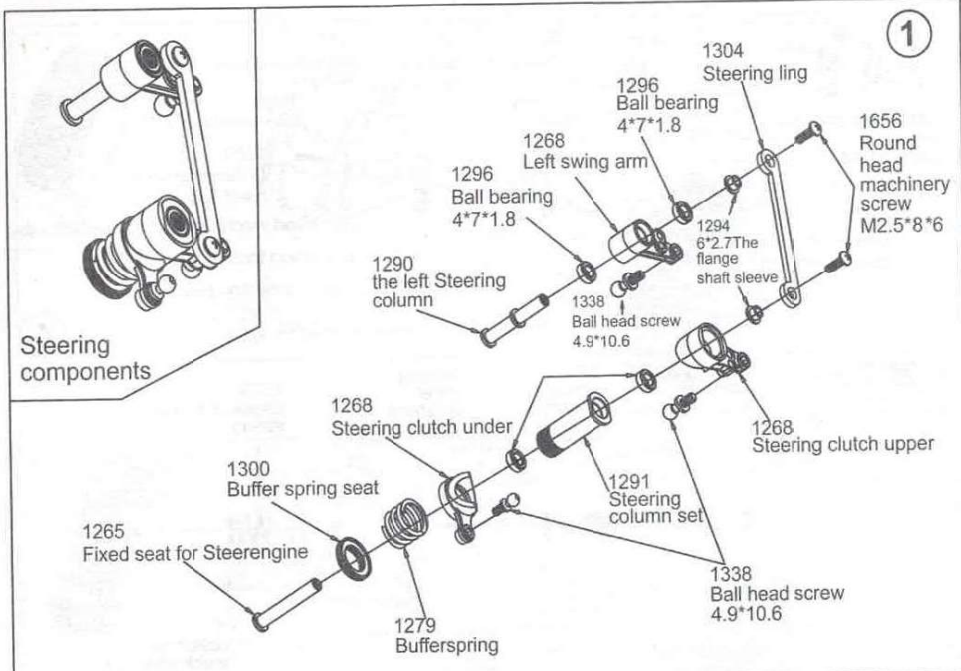
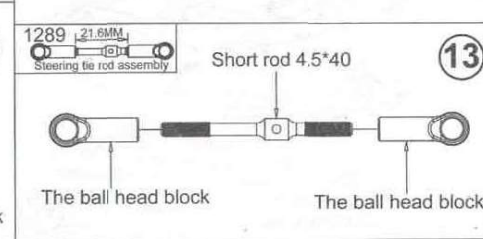
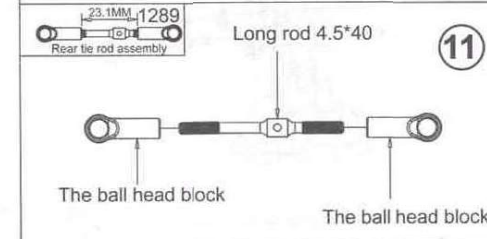
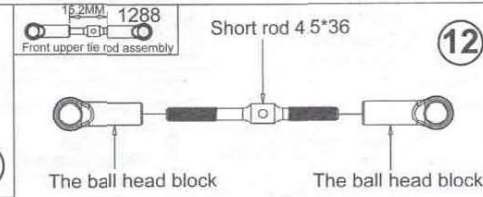
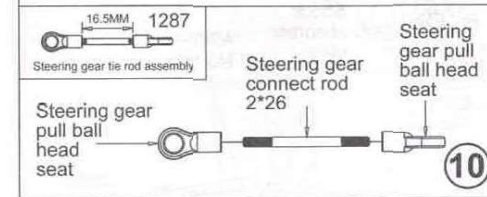
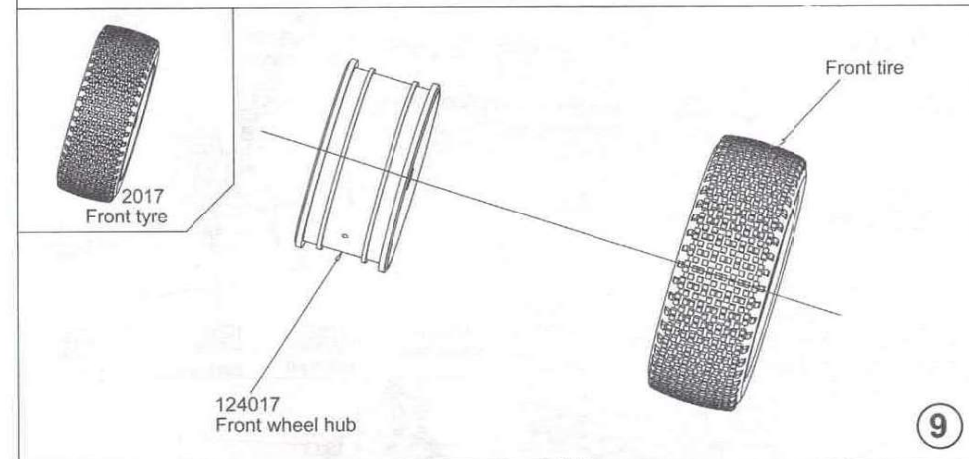
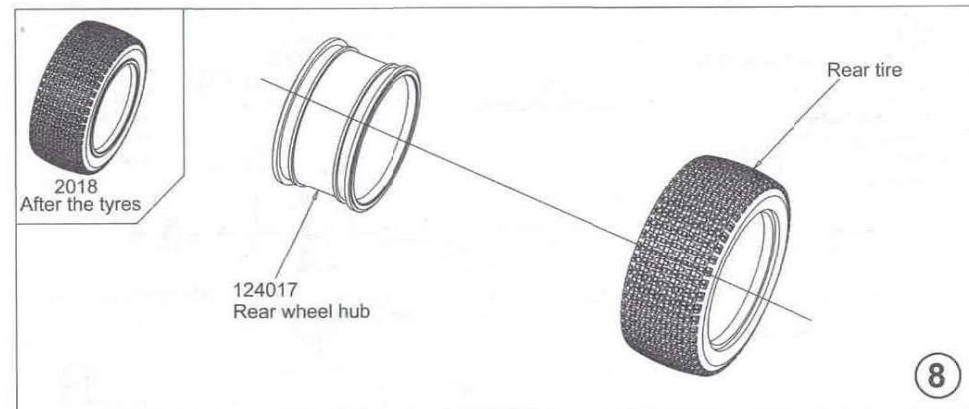
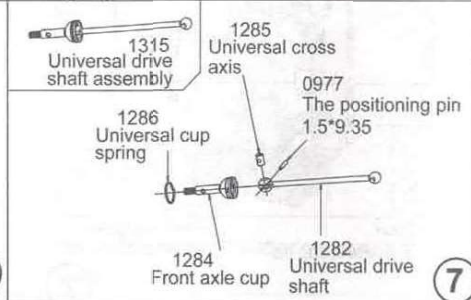
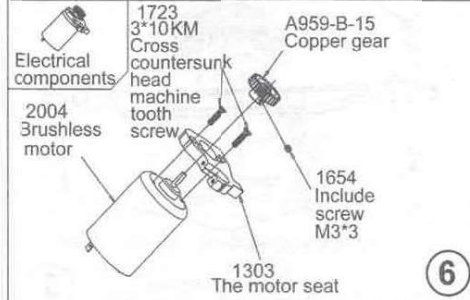
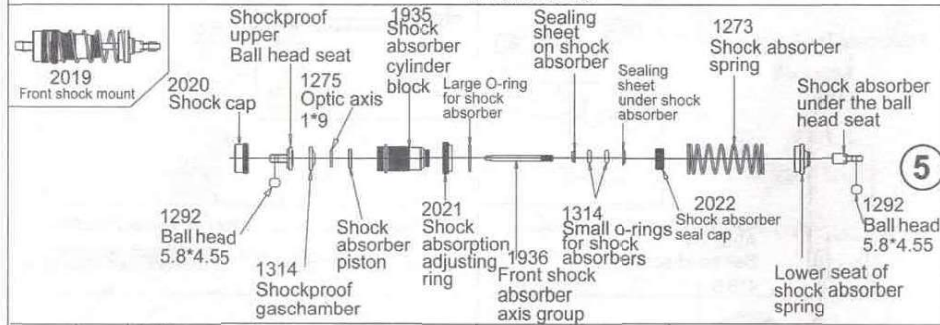
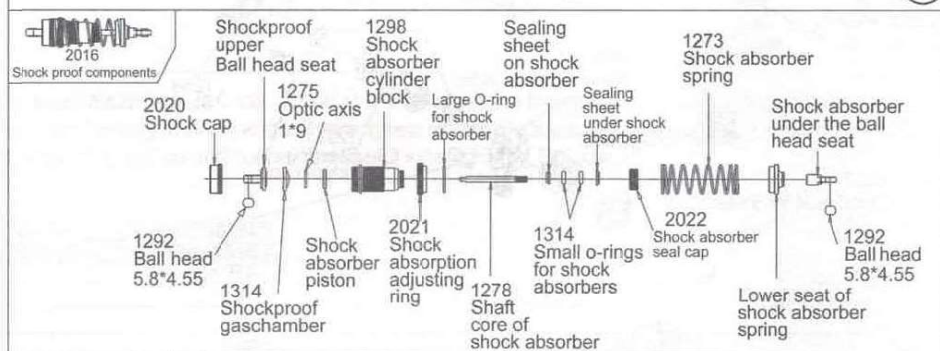
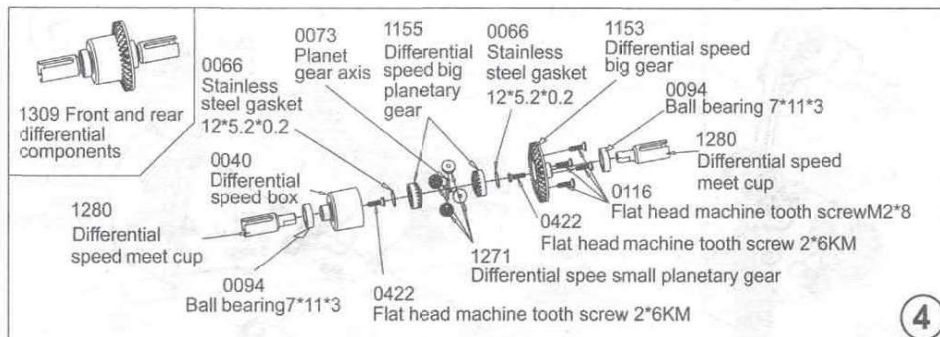
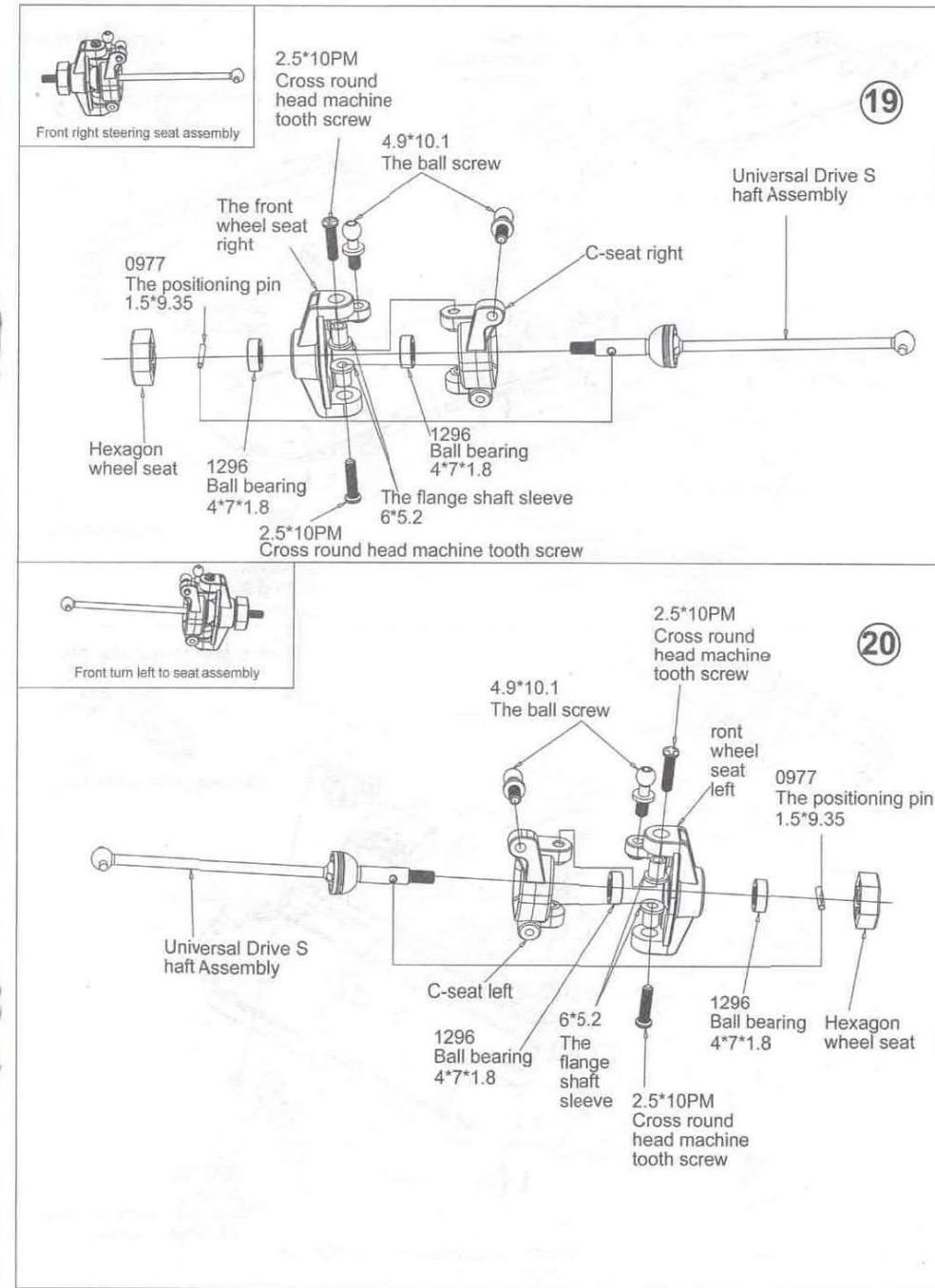
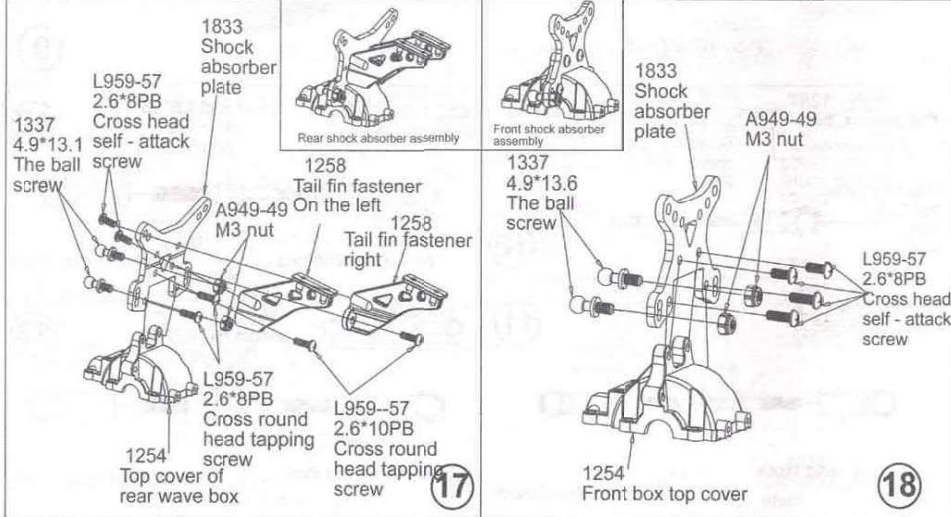
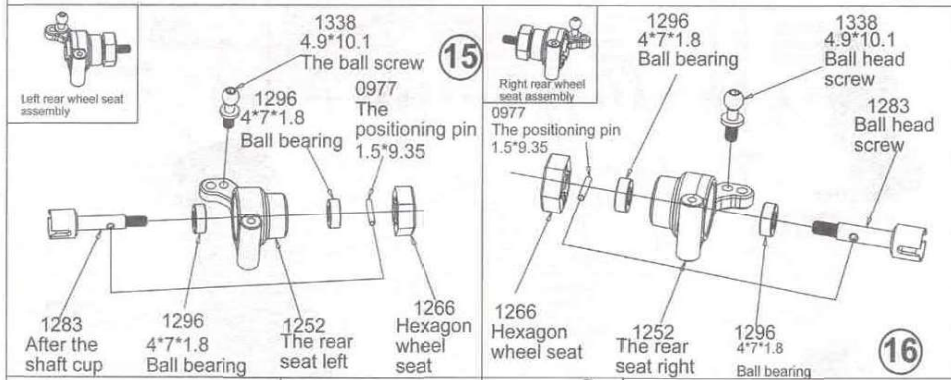
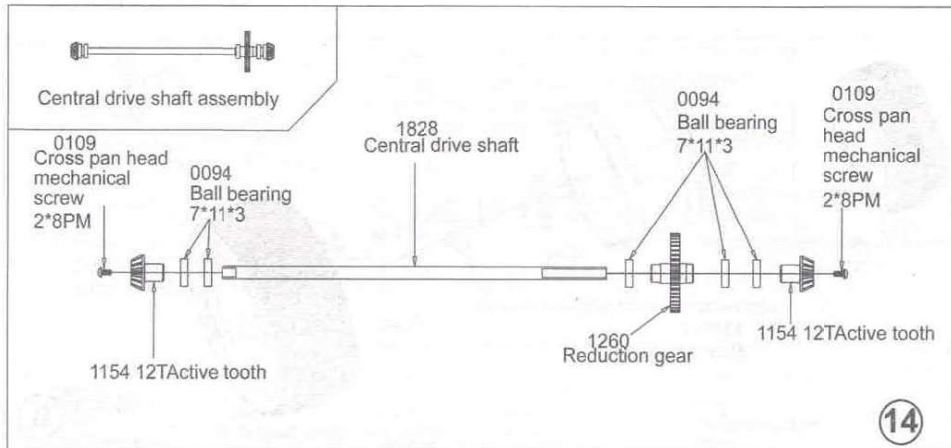
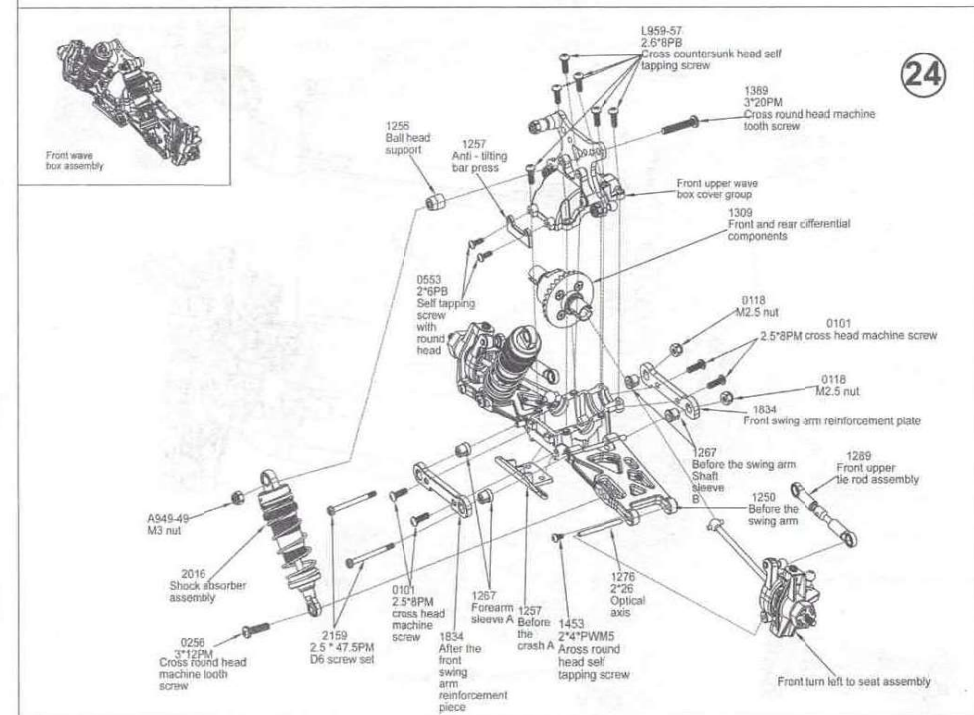
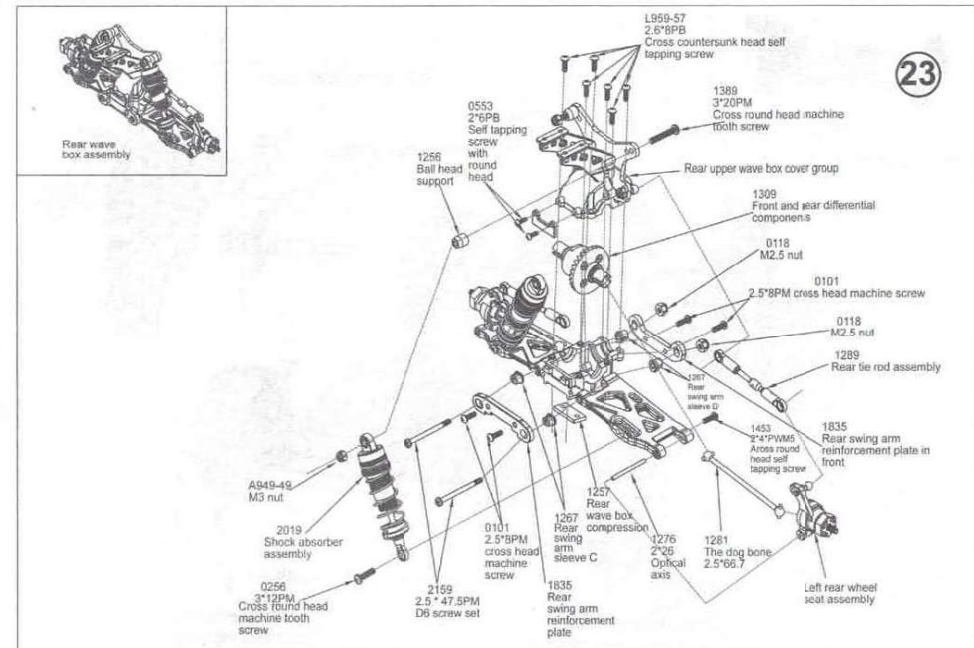
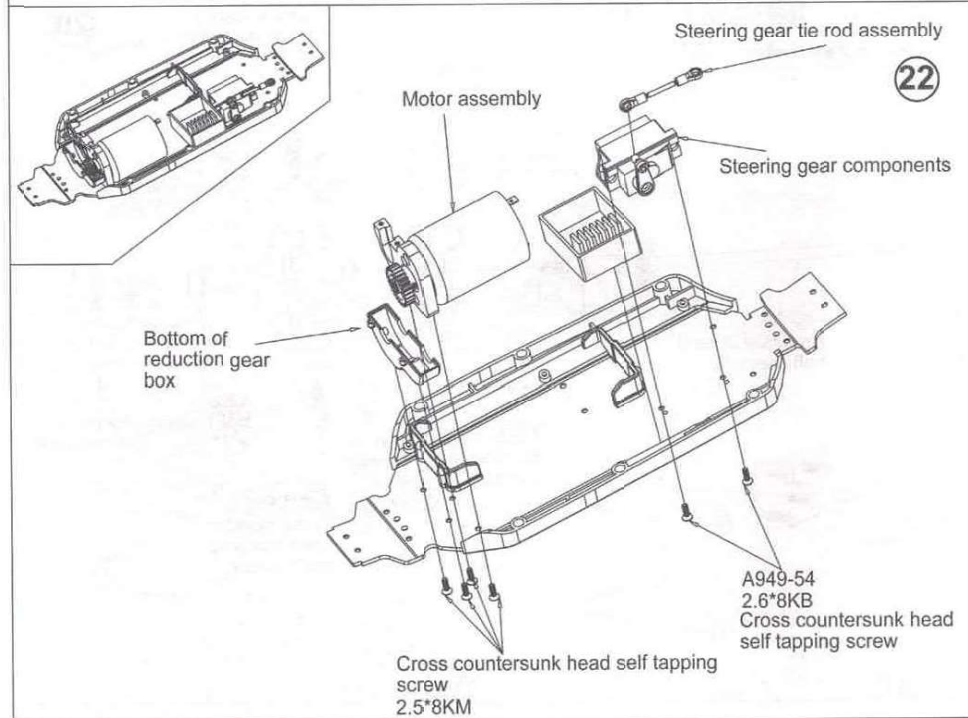
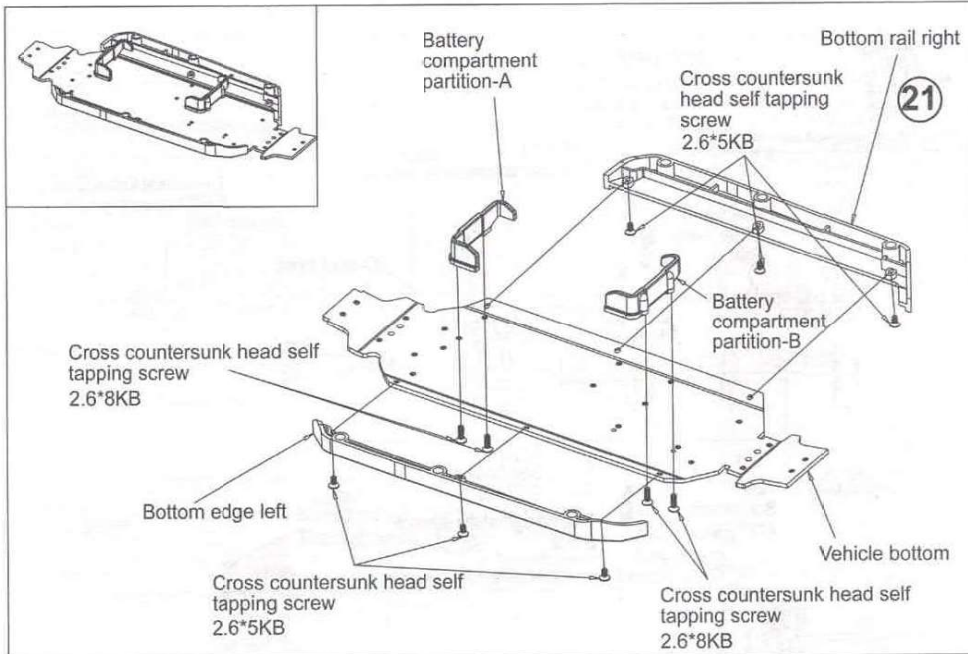


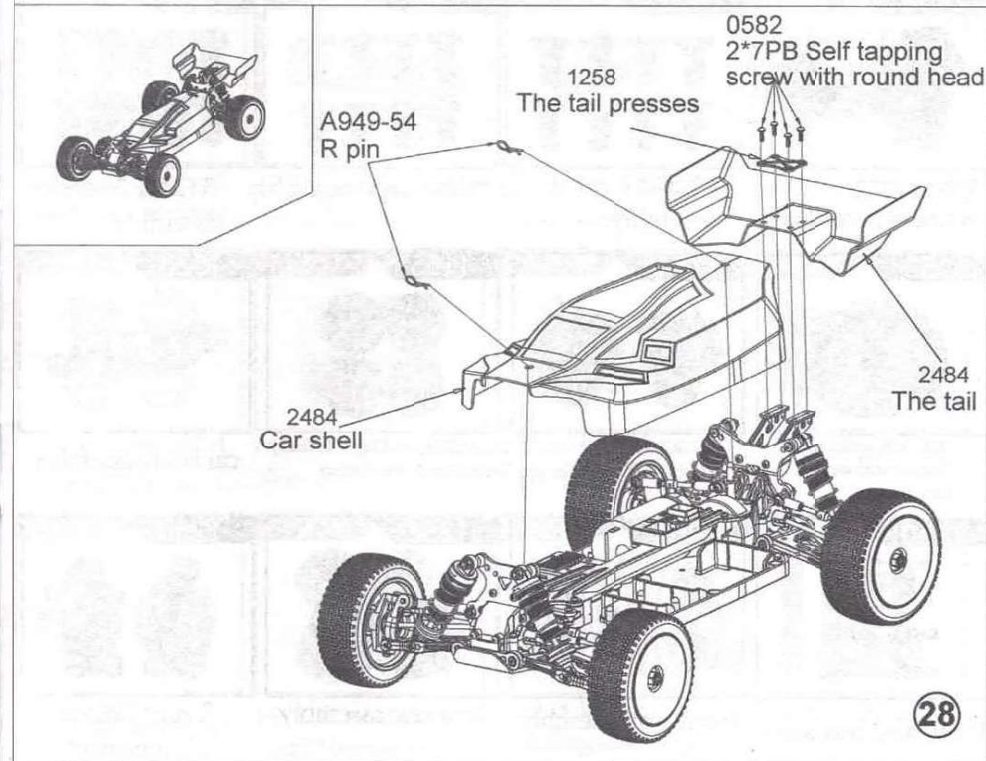
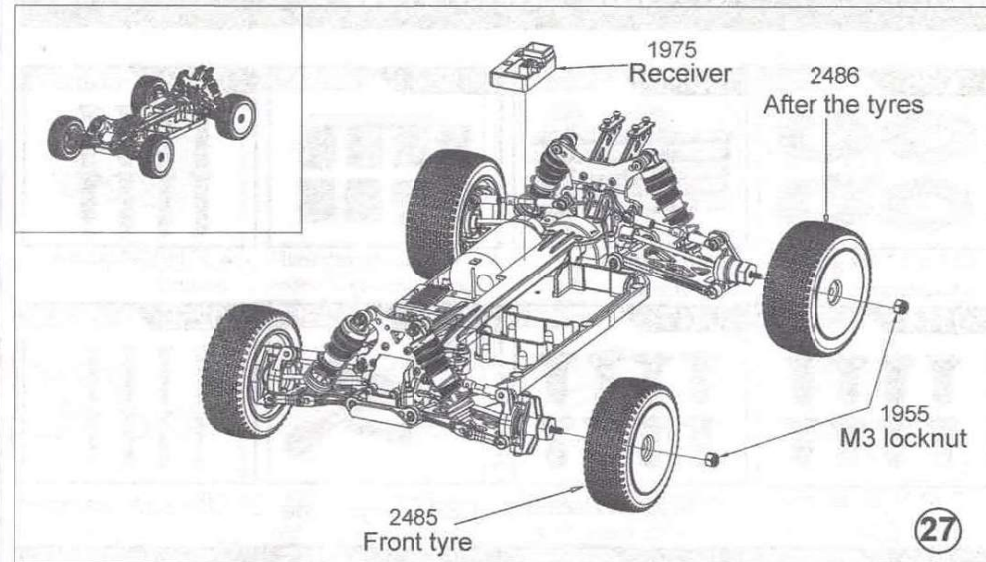
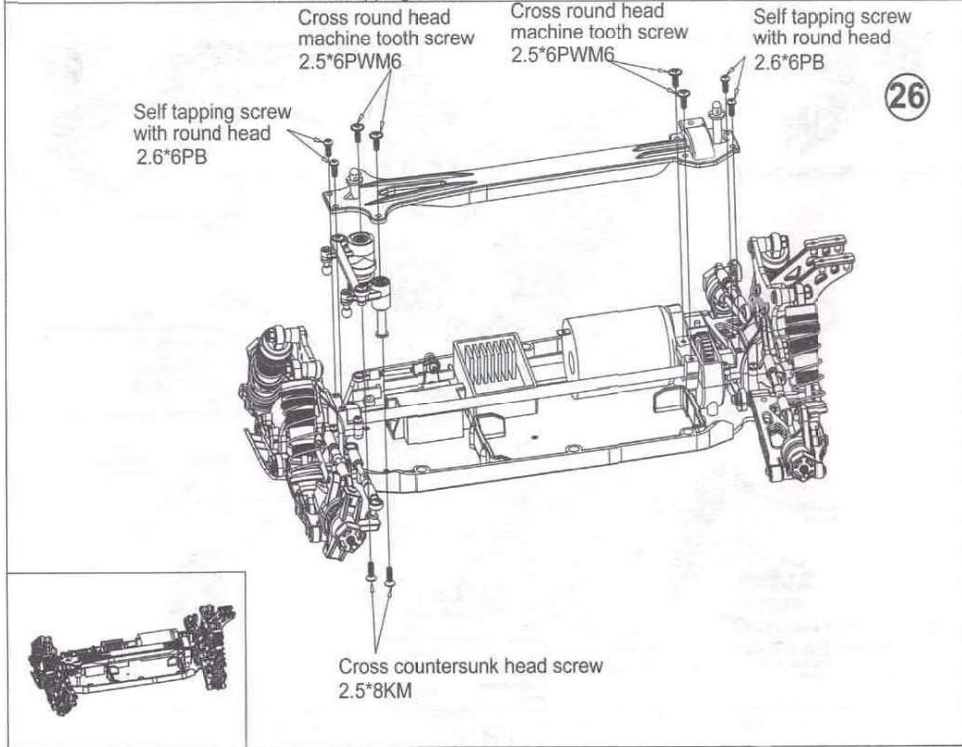
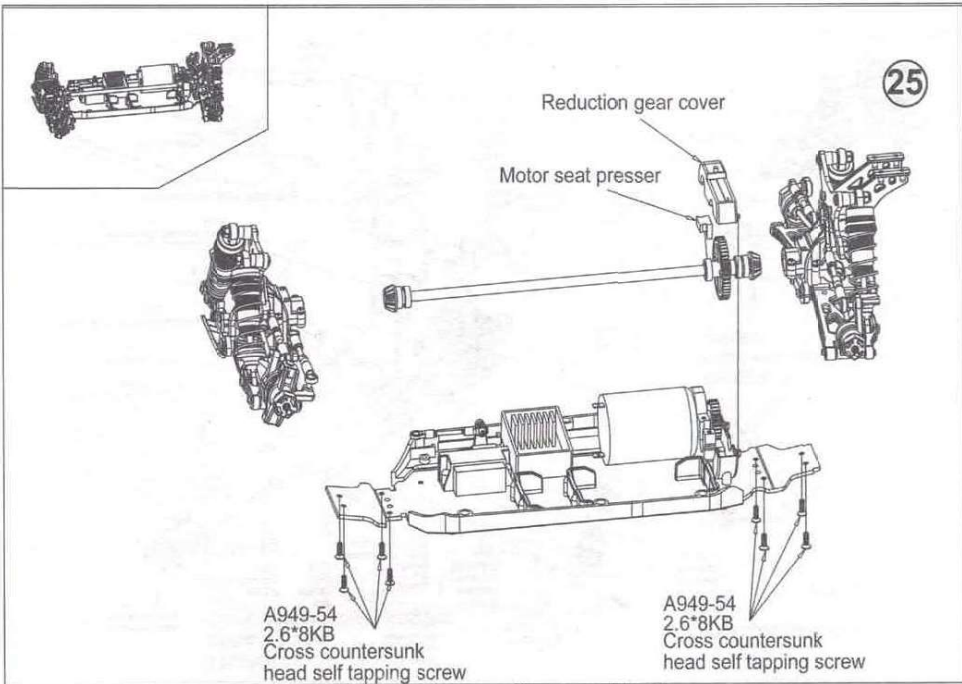
# Assembly Exploded Diagram






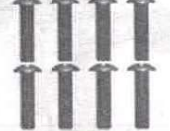

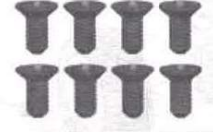

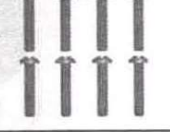

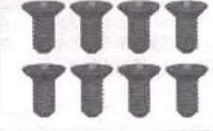



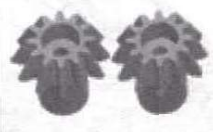










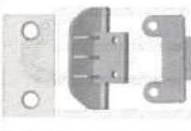


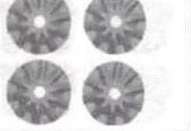




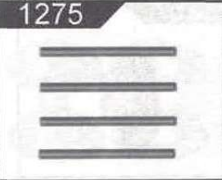
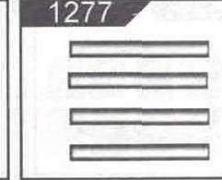
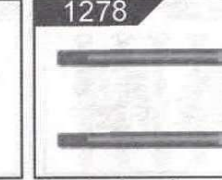



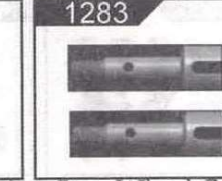
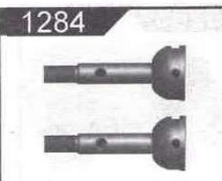
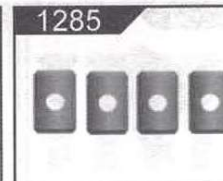
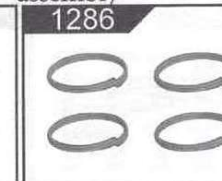
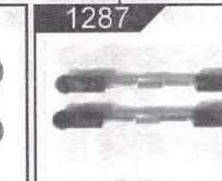
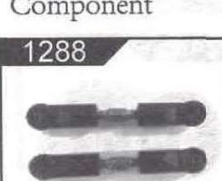
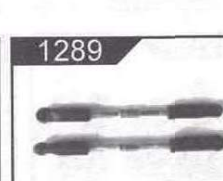
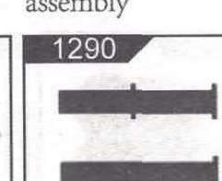

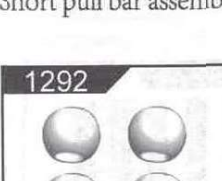
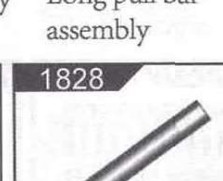

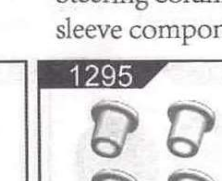
## Sale parts view

0066 	0073 	1654 	0102 
12 * 5.2 * 0.2 gasket set assembly	Differential shaft assembly	M3*3 Inner hexagonal screw assembly	2.5*10PM screw assembly
0114 	0117 	1374 	0256 
2.5*8KM screw assembly	3*8KM screw assembly	USB charging line	3*12PM screw assembly
2132 	0422 	0553 	0582 
V8-104072 Remote control unit	2 * 6KM screw assembly	2 * 6PB screw assembly	ST2*7PB screw assembly
1153 	1154 	1155 	1823 
30T Differential Large Teeth(Hardware) Component	12T Active Teeth(Hardware) Group	24T Differential Large Planetary Teeth(Hardware) Group	car body assembly
1250 	1251 	1252 	1253 
Front and rear arms	Front seat assembly	Rear seat assembly	Type C Block Component

## Sale parts view

1254 	1824 	1256 	1257 
Wave Box Component	Bottom side guard assembly	Ball head support assembly	Anti-collision accessories components
1258 	1825 	1260 	1261 
Final-end firmware component	Second floor panel components	Slow down large tooth assembly	Battery partition assembly
1262 	1263 	1264 	1265 
Speed gear upper and lower cover assembly	Tiller arm assembly	Motor seat press component	Steering seat press assembly
1266 	1267 	1268 	2485 
Hexagonal seat assembly	Front and rear arm sleeve	Switch to clutch component	Front tire assembly
2486 	1271 	1273 	1274 
Back tire assembly	10T Differential Asteroid Teeth(Hardware) Group	Shock absorber spring assembly	1.5*9.35 Optical axis

## Sale parts view

1275 	0101 	1277 	1278 
1*9 Optical axis	2.5*8PM Cross head machine screw	2*26 Optical axis	Shock absorber shaft component
1279 	1281 	1282 	1283 
Buffer spring assembly	Dog bone assembly	Universal drive shaft assembly	Rear Wheel Cup Component
1284 	1285 	1286 	1287 
Front Wheel Cup Component	Cross shaft assembly	Universal cup spring assembly	Steering gear lever assembly
1288 	1289 	1290 	1291 
Short pull bar assembly	Long pull bar assembly	Steering column assembly	Steering column sleeve component
1292 	1828 	1294 	1295 
Ball Head Component	Central Transmission Axis Component	6 * 2.7 flange sleeve assembly	6 * 5.2 flange sleeve assembly

## Sale parts view

1296 	1298 	2020 	2021 
4*7*1.8 Ball bearing assembly	Shock absorber cylinder assembly	Shock absorber cap assembly	Regulate Ring Component
1831 	1833 	2006 	1304 
Spring seat assembly	Shock absorber assembly	Motor Block Component	Steering connecting rod assembly
1834 	1835 	2003 	2004 
Front swing arm reinforcement module	Backswing arm reinforcement module	Rudder assembly	Motor components
1309 	2005 	1314 	1315 
Differential	Receiver board assembly	Type 0 assembly	Coaxial component
2016 	1323 	2484 	A949-29 
Front shock absorber assembly	ST2.6*5KB screw assembly	Car shell components	Heat Discharge Group

## Sale parts view

1337



4.9\*13.6Ball Head screw assembly

1338



4.9\*10.6Ball Head screw assembly

A202-04



4.0\*9.5Ball Head screw assembly

A202-15



ST2\*8KB screw assembly

A303-39



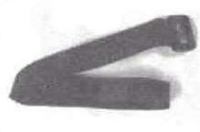
ST2.6\*6PWB6 screw assembly

1839



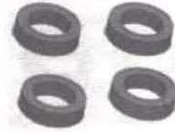
Central drive shaft assembly

1651



Magic paste group

A949-35



Ball bearings 7 \* 11 \* 3 groups

A949-38



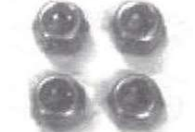
ST2.6\*6PB screw assembly

A949-43



2.5\*6PWM6 Screw assembly

A949-49



M3 Loose nut assembly

2178



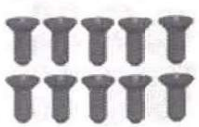
Motor teeth 27T group

1652



Battery assembly

L959-54



ST2.6\*8KB screw assembly

L959-57



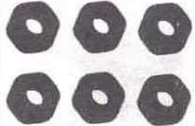
ST2.6\*8PB screw assembly

L959-58



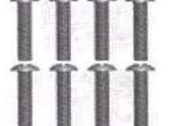
ST2.6\*10PB screw assembly

1955



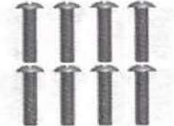
M3 flange nut

1389



3 \* 20pm Cross round head machine screw

1453



2\*4PWM5 Cross round head machine screw

1656



2.5\*8PWM6 Cross round head machine screw

## Sale parts view

2022



Shock proof sealing cap 11 \* 4.5 sets

2019



Rear shock absorber assembly

1989



Zinc alloy cross sleeve assembly

1975



Brushless receiver

0118



M2.5 jam nut

2159



2.5 \* 47.5pm D6 screw set